

Fittings

THREADED CONNECTORS



Fittings - Threaded Connectors

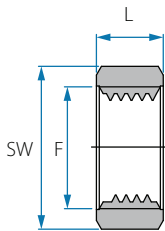
Nylon 6-6



Working pressure
Up to 14 BAR
(200 psi) at 20 °C



Temperature
-20 °C - 110 °C
(subject to application)



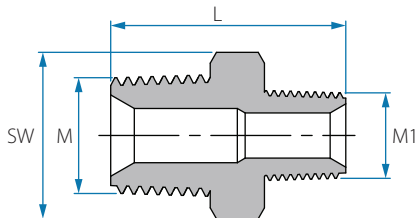
Panel Mounting Nut

Cat. No.	F (BSPT)	L mm	SW	Color
**32006100042	1/4"	5.0	17	● Black
32006100081	1/2"	11.6	26	○ White
32006100082	1/2"	11.6	26	● Black
32006100088	1/2"	11.6	26	● Blue
*32006100201	M20	5.0	26	○ White

Note: Packing 25 unit

* Thin configuration

** Acetal



BSPT Pipe Reducing Nipple

Cat. No.	M (BSPT)	M1 (BSPT)	L mm	SW	Color
12012304028	1/4"	1/8"	25.2	14	● Blue
12012306028	3/8"	1/8"	27.1	17	● Blue
12012306048	3/8"	1/4"	28.5	17	
12012308048	1/2"	1/4"	31.5	22	
12012308068	1/2"	3/8"	31.5	22	
12012312088	3/4"	1/2"	34.5	27	

Note: Packing 25 unit

NPT Pipe Reducing Nipple

Cat. No.	M (NPT)	M1 (NPT)	L mm	SW	Color
12022304023	1/4"	1/8"	28.4	14	● Grey
12022306023	3/8"	1/8"	29.6	17	
12022308023	1/2"	1/8"	34.9	22	
12022312023	3/4"	1/8"	35.4	27	
12022306043	3/8"	1/4"	33.4	17	
12022308043	1/2"	1/4"	38.7	22	
12022312043	3/4"	1/4"	39.4	27	
12022308063	1/2"	3/8"	39.1	22	
12022312063	3/4"	3/8"	39.6	27	
12022312083	3/4"	1/2"	44.1	27	

Note: Packing 25 unit

Fittings - Threaded Connectors

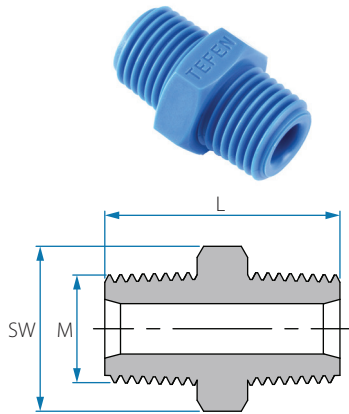
Nylon 6-6



Working pressure
Up to 14 BAR
(200 psi) at 20 °C



Temperature
-20 °C - 110 °C
(subject to application)



BSPT Pipe Hex Nipple

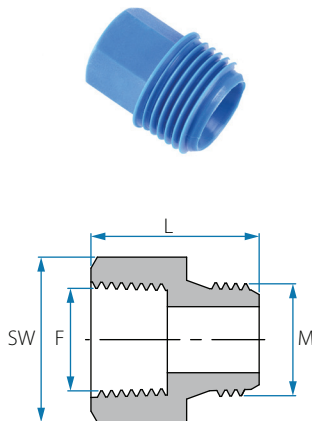
Cat. No.	M (BSPT)	L mm	SW	Color
12012202028	1/8"	23.2	11	Blue
12012204048	1/4"	27.1	14	
12012206068	3/8"	28.2	17	
12012208088	1/2"	34.1	22	
12012212128	3/4"	36	27	

Note: Packing 25 unit

NPT Pipe Hex Nipple

Cat. No.	M (NPT)	L mm	SW	Color
12022202023	1/8"	23.9	11	Grey
12022204043	1/4"	32.7	14	
12022206063	3/8"	34.4	17	
12022208083	1/2"	43.3	22	
12022212123	3/4"	44.4	27	

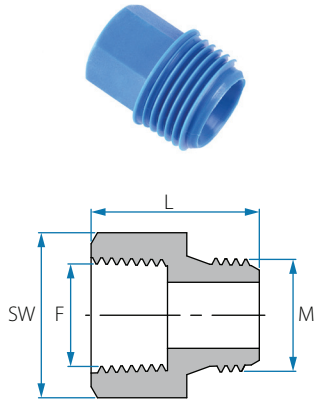
Note: Packing 25 unit



BSPT Pipe Adaptor

Cat. No.	F (BSPT)	M (BSPT)	L mm	SW	Color
12012002028	1/8"	1/8"	23.0	14	Blue
12012002048	1/8"	1/4"	23.0	14	
12012002068	1/8"	3/8"	24.0	14	
12012002088	1/8"	1/2"	26.9	14	
12012004028	1/4"	1/8"	22.1	17	
12012004048	1/4"	1/4"	24.0	17	
12012004068	1/4"	3/8"	24.8	17	
12012004088	1/4"	1/2"	27.2	17	
12012006028	3/8"	1/8"	23.1	22	
12012006048	3/8"	1/4"	25.2	22	
12012006068	3/8"	3/8"	25.7	22	
12012006088	3/8"	1/2"	28.2	22	
12012008028	1/2"	1/8"	25.6	26	
12012008048	1/2"	1/4"	27.3	26	
12012008068	1/2"	3/8"	28.0	26	
12012008088	1/2"	1/2"	30.6	26	

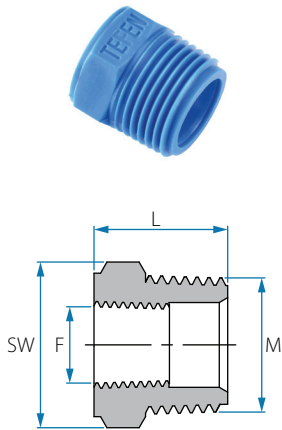
Note: Packing 25 unit



NPT Pipe Adaptor

Cat. No.	F (NPT)	M (NPT)	L mm	SW	Color
12022002023	1/8"	1/8"	23.4	14	● Grey
12022002043	1/8"	1/4"	23.4	14	
12022002063	1/8"	3/8"	27.4	14	
12022002083	1/8"	1/2"	32.5	14	
12022004023	1/4"	1/8"	26.5	17	
12022004043	1/4"	1/4"	30.7	17	
12022004063	1/4"	3/8"	30.5	17	
12022004083	1/4"	1/2"	35.5	17	
12022006023	3/8"	1/8"	26.3	22	
12022006043	3/8"	1/4"	26.5	22	
12022006063	3/8"	3/8"	30.4	22	
12022006083	3/8"	1/2"	35.5	22	
12022008023	1/2"	1/8"	30.0	26	
12022008043	1/2"	1/4"	34.0	26	
12022008063	1/2"	3/8"	36.6	26	
12022008083	1/2"	1/2"	39.0	26	

Note: Packing 25 unit



BSPT Pipe Bushing

Cat. No.	M (BSPT)	F (BSPT)	L mm	SW	Color
12011004028	1/4"	1/8"	172	14	● Blue
12011006028	3/8"	1/8"	178	17	
12011006048	3/8"	1/4"	178	17	
12011008028	1/2"	1/8"	20.7	22	
12011008048	1/2"	1/4"	20.4	22	
12011008068	1/2"	3/8"	20.7	22	
12011012048	3/4"	1/4"	22.0	27	
12011012068	3/4"	3/8"	22.2	27	
12011012088	3/4"	1/2"	22.4	27	

Note: Packing 25 unit

NPT Pipe Bushing

Cat. No.	M (NPT)	F (NPT)	L mm	SW	Color
12021004023	1/4"	1/8"	21.0	15	● Grey
12021006023	3/8"	1/8"	20.8	18	
12021006043	3/8"	1/4"	20.8	19	
12021008023	1/2"	1/8"	27.2	24	
12021008043	1/2"	1/4"	27.1	19	
12021008063	1/2"	3/8"	27.2	29	
12021012043	3/4"	1/4"	27.0	29	
12021012063	3/4"	3/8"	27.2	29	
12021012083	3/4"	1/2"	27.3	29	

Note: Packing 25 unit

Fittings - Threaded Connectors

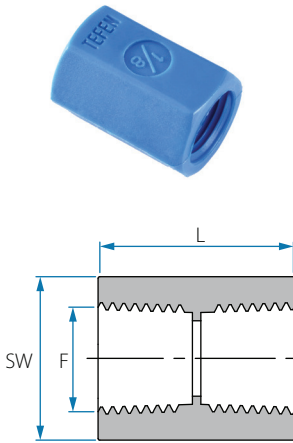
Nylon 6-6



Working pressure
Up to 14 BAR
(200 psi) at 20 °C



Temperature
-20 °C - 110 °C
(subject to application)



BSPT Female Pipe Coupling

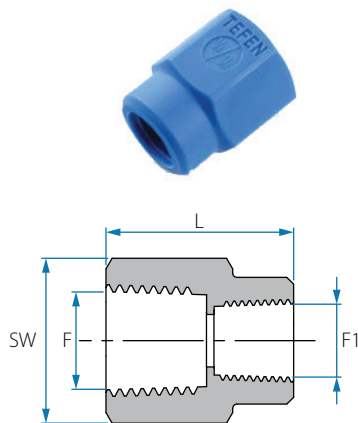
Cat. No.	F (BSPT)	L mm	SW	Color
12010302021	1/8"	20.0	14	○ White
12010304042	1/4"	23.6	17	● Black
12010312122	3/4"	38.0	34	● Blue
12010302028	1/8"	20.0	14	
12010304048	1/4"	23.6	17	
12010306068	3/8"	24.5	21	
12010308088	1/2"	29.7	26	
12010312128	3/4"	38.0	34	

Note: Packing 25 unit

NPT Female Pipe Coupling

Cat. No.	F (NPT)	L mm	SW	Color
12020302023	1/8"	19.7	14	● Grey
12020304043	1/4"	23.5	17	
12020306063	3/8"	24.6	22	
12020308083	1/2"	29.5	27	

Note: Packing 25 unit



BSPT Pipe Reducing Coupling

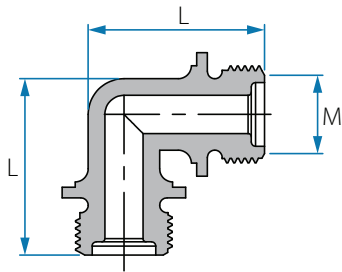
Cat. No.	F (BSPT)	F1 (BSPT)	L mm	SW	Color
12011904028	1/4"	1/8"	22.0	17	● Blue
12011906028	3/8"	1/8"	24.5	21	
12011906048	3/8"	1/4"	24.5	21	
12011908048	1/2"	1/4"	27.0	26	
12011908068	1/2"	3/8"	27.0	26	
12011912048	3/4"	1/4"	30.1	34	
12011912088	3/4"	1/2"	35.0	34	

Note: Packing 25 unit

NPT Pipe Reducing Coupling

Cat. No.	F (NPT)	F1 (NPT)	L mm	SW	Color
12021904023	1/4"	1/8"	22.0	17	● Grey
12021906023	3/8"	1/8"	24.4	22	
12021906043	3/8"	1/4"	24.8	22	
12021908043	1/2"	1/4"	27.0	26	
12021908063	1/2"	3/8"	26.8	26	

Note: Packing 25 unit



BSPT Threaded Elbow

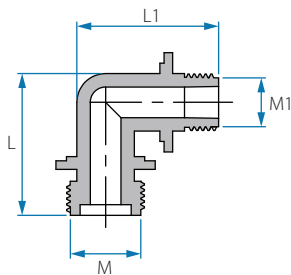
Cat. No.	M (BSPT)	L mm	Color
12016502008	1/8"	24.4	● Blue
12016504008	1/4"	26.4	● Blue
12016506008	3/8"	31.8	
12016508008	1/2"	40.2	
12016502002	1/8"	24.4	● Black
12016504001	1/4"	26.4	○ White
12016504002	1/4"	26.4	● Black

Note: Packing 25 unit

NPT Threaded Elbow

Cat. No.	M (NPT)	L mm	Color
12026502003	1/8"	23.8	● Grey
12026504003	1/4"	28.4	

Note: Packing 25 unit



BSPT Reducing Threaded Elbow

Cat. No.	M (BSPT)	M1 (BSPT)	L mm	L1 mm	Color
12016904028	1/4"	1/8"	26.4	24.4	● Blue
12016906048	3/8"	1/4"	31.8	31.5	
12016908068	1/2"	3/8"	40.0	38.1	

Note: Packing 25 unit

NPT Reducing Threaded Elbow

Cat. No.	M (NPT)	M1 (NPT)	L mm	L1 mm	Color
12026904023	1/4"	1/8"	28.4	24.0	● Grey

Note: Packing 25 unit

Fittings - Threaded Connectors

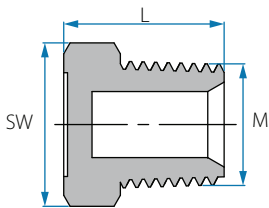
Nylon 6-6



Working pressure
Up to 14 BAR
(200 psi) at 20 °C



Temperature
-20 °C - 110 °C
(subject to application)



BSPT Hex Threaded Plug

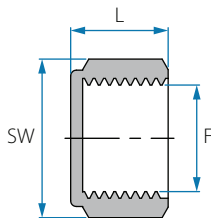
Cat. No.	M (BSPT)	L mm	SW	Color
12012102008	1/8"	13.6	11	● Blue
12012104008	1/4"	16.6	14	
12012106008	3/8"	16.1	17	
12012108008	1/2"	19.6	22	
12012112008	3/4"	22.0	27	
12012116008	1"	27.0	36	
12012104001	1/4"	16.6	14	○ White
12012104002	1/4"	16.6	14	● Black
12012102002	1/8"	13.6	11	

Note: Packing 25 unit

NPT Hex Threaded Plug

Cat. No.	M (NPT)	L mm	SW	Color
12022102003	1/8"	14.7	11	● Grey
12022104003	1/4"	19.4	14	
12022106003	3/8"	20.4	17	
12022108003	1/2"	25.6	22	
12022112003	3/4"	26.0	27	

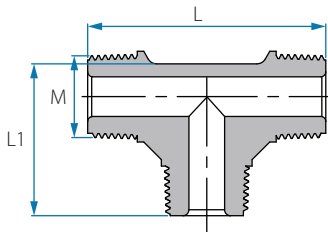
Note: Packing 25 unit



BSPT Pipe Cap

Cat. No.	F (BSPT)	L mm	SW	Color
12010802008	1/8"	10.4	13	● Blue
12010804008	1/4"	14.2	17	
12010806008	3/8"	14.2	20	
12010808008	1/2"	17.1	24	
12010812008	3/4"	17.1	30	

Note: Packing 25 unit



BSPT Pipe T

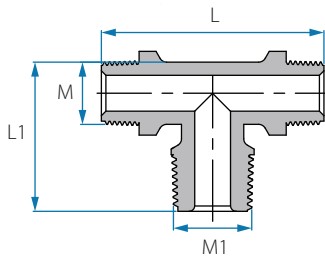
Cat. No.	M (BSPT)	L mm	L1 mm	Color
12016402008	1/8"	39.8	24.1	Blue
12016404008	1/4"	44.0	26.2	
12016406008	3/8"	50.5	32.0	
12016408008	1/2"	64.0	40.3	

Note: Packing 25 unit

NPT Pipe T

Cat. No.	M (NPT)	L mm	L1 mm	Color
12026402003	1/8"	39.3	24.0	Grey
12026404003	1/4"	48.4	28.5	

Note: Packing 25 unit



BSPT Pipe Reducing Branch T

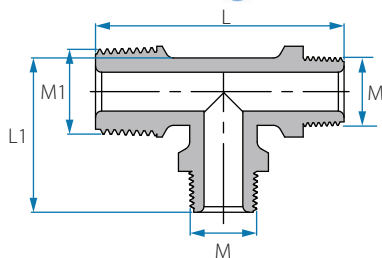
Cat. No.	M (BSPT)	M1 (BSPT)	L mm	L1 mm	Color
12017102048	1/8"	1/4"	39.7	26.4	Blue
12017104028	1/4"	1/8"	43.3	24.2	
12017104068	1/4"	3/8"	43.3	38.2	
12017106048	3/8"	1/4"	60.2	26.4	
12017108068	1/2"	3/8"	64.2	38.2	
12017106088	3/8"	1/2"	60.2	40.4	

Note: Packing 25 unit

NPT Pipe Reducing Branch T

Cat. No.	M (NPT)	M1 (NPT)	L mm	L1 mm	Color
12027104023	1/4"	1/8"	48.4	24.0	Grey

Note: Packing 25 unit



BSPT Pipe Reducing Run T

Cat. No.	M (BSPT)	M1 (BSPT)	L mm	L1 mm	Color
12017204028	1/4"	1/8"	41.8	26.3	Blue
12017206048	3/8"	1/4"	48.3	30.8	
12017208068	1/2"	3/8"	62.0	40.0	
12017202048	1/8"	1/4"	42.7	25.5	
12017204068	1/4"	3/8"	48.5	31.0	
12017206088	3/8"	1/2"	62.0	38.2	

Note: Packing 25 unit

NPT Pipe Reducing Run T

Cat. No.	M (NPT)	M1 (NPT)	L mm	L1 mm	Color
12027204023	1/4"	1/8"	41.8	26.3	Grey

Note: Packing 25 unit