

Fittings

BARB BLOCK

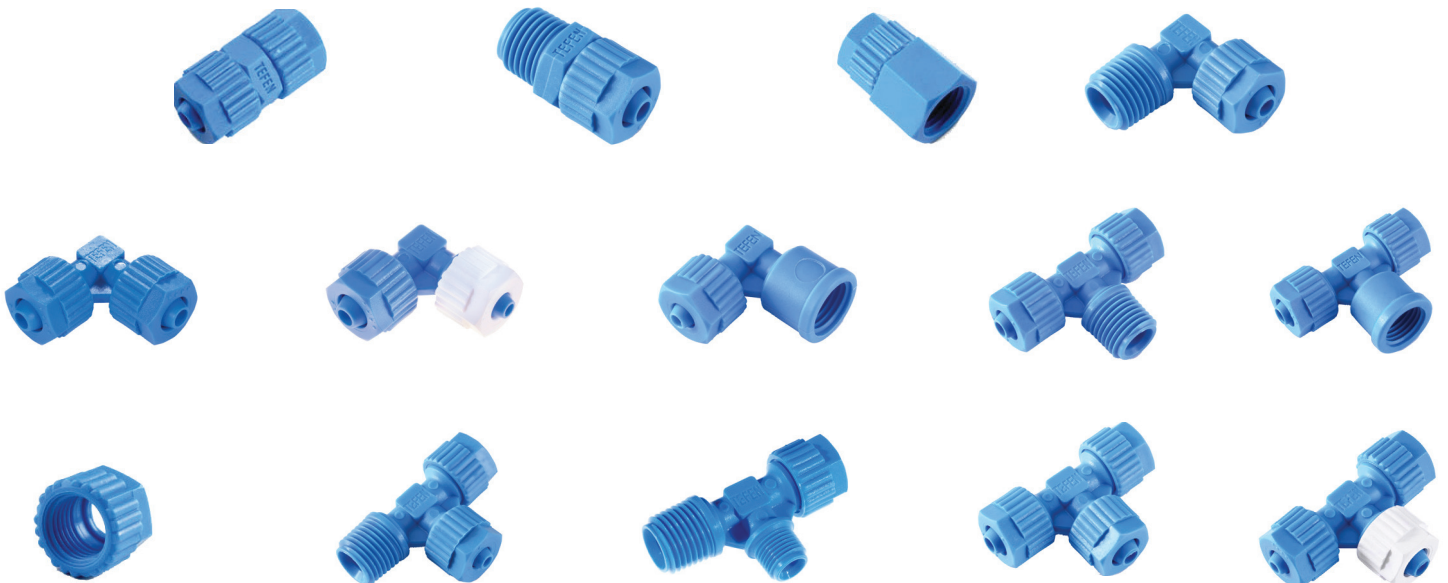
Tefen barb Block fittings are mechanical push-on compression fittings that can operate with numerous types of common plastic tubes in the range between 1/4"-1/2".

The fittings sealing system is based on a barb and a tightening nut.

How to make the connection: Insert the nut onto the tube, insert the tube onto the barb and then close and secure the nut tightly on the bar support thread.

Main use: for the connection of plastic tubes on hydraulic and pneumatic systems.

Main Advantages: high chemical resistant, very strong resistant for tube pullout, no rubber seals- long lasting fittings.



Fittings - Barb Block

Reinforced Polypropylene

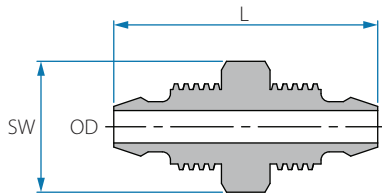


Working pressure
Up to 14 BAR
(200 psi) at 20 °C



Temperature
4 °C - 90 °C
(subject to application)

Fittings' dimensions
↓ refer to tube ID or OD,
↑ with respect to the
common application.



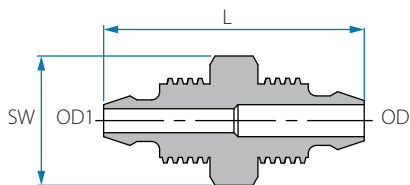
Union Connector

Cat. No.	Tube OD mm	L mm	SW	Color
22046246008	6	32.7	14	Blue
22046248008	8	32.7	14	
22046252008	12	40.6	19	

Cat. No.	Tube OD inch	L mm	SW	Color
22046204008	¼"	32.7	14	Navy Blue
22046205008	⅝"	32.7	14	
22046208008	½"	40.6	19	

Cat. No.	Tube OD inch	L mm	SW	Color
22246204003	¼"	32.5	14	Grey
22246205003	⅝"	32.6	14	
22246208003	½"	40.4	19	

Note: Packing 25 unit



Reducing Connector

Cat. No.	Tube OD mm	Tube OD1 mm	L mm	SW	Color
22045648468	8	6	32.7	14	Blue

Cat. No.	Tube OD inch	Tube OD1 inch	L mm	SW	Color
22045605048	⅝"	¼"	32.7	14	Navy Blue
22245605043	⅝"	¼"	32.7	14	Grey

Note: Packing 25 unit

Fittings - Barb Block

Reinforced Polypropylene

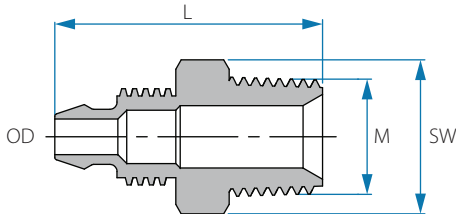


Working pressure
Up to 14 BAR
(200 psi) at 20 °C



Temperature
4 °C - 90 °C
(subject to application)

Fittings' dimensions refer to tube ID or OD, with respect to the common application.

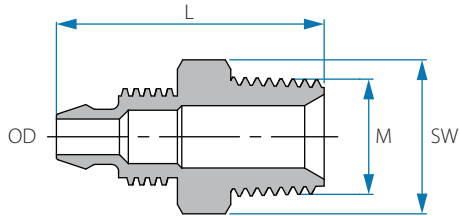


BSPT Male Connector

Cat. No.	Tube OD mm	M (BSPT)	L mm	SW	Color
22046846028	6	1/8"	27.5	13	● Blue
22046846048	6	1/4"	29.7	14	
22046846068	6	3/8"	32.5	17	
22046846088	6	1/2"	35.5	22	
22046846128	6	3/4"	36.6	27	
22046848028	8	1/8"	27.6	13	
22046848048	8	1/4"	29.5	14	
22046848068	8	3/8"	31.4	17	
22046848088	8	1/2"	36.1	22	
22046848128	8	3/4"	36.6	27	
22046850048	10	1/4"	35.8	17	
22046850068	10	3/8"	35.8	17	
22046850088	10	1/2"	38.9	22	
22046850128	10	3/4"	39.7	27	
22046852048	12	1/4"	37.3	14	● Black
22046852068	12	3/8"	37.3	17	
22046852088	12	1/2"	40.1	22	
22046852128	12	3/4"	40.1	27	
22046848022	8	1/8"	27.6	13	
22046852082	12	1/2"	40.1	22	
22046846042	6	1/4"	29.7	14	
22046848042	8	1/4"	29.5	14	
22046848062	8	3/8"	31.4	17	
22046852042	12	1/4"	37.3	14	
22046852062	12	3/8"	37.3	17	

Cat. No.	Tube OD inch	M (BSPT)	L mm	SW	Color
22046804028	1/4"	1/8"	27.5	13	● Navy Blue
22046804048	1/4"	1/4"	29.7	15	
22046804068	1/4"	3/8"	32.5	17	
22046804088	1/4"	1/2"	35.5	22	
22046804128	1/4"	3/4"	36.6	27	
22046805028	5/16"	1/8"	27.6	13	
22046805048	5/16"	1/4"	29.5	14	
22046805068	5/16"	3/8"	31.4	17	
22046806048	3/8"	1/4"	35.8	17	
22046806068	3/8"	3/8"	35.8	17	
22046806088	3/8"	1/2"	38.9	22	
22046806128	3/8"	3/4"	39.7	27	
22046808048	1/2"	1/4"	37.3	17	
22046808068	1/2"	3/8"	37.3	17	
22046808088	1/2"	1/2"	40.1	22	
22046808128	1/2"	3/4"	40.1	27	
22046804041	1/4"	1/4"	29.7	15	○ White
22046804081	1/4"	1/2"	35.5	22	
22046804121	1/4"	3/4"	36.6	27	

Note: Packing 25 unit



NPT Male Connector

Cat. No.	Tube OD inch	M (NPT)	L mm	SW	Color
22246804023	1/4"	1/8"	29.4	11	● Grey
22246804043	1/4"	1/4"	34.0	14	
22246804063	1/4"	3/8"	35.1	17	
22246804083	1/4"	1/2"	40.2	22	
22246804123	1/4"	3/4"	41.0	27	
22246805023	5/16"	1/8"	29.4	11	
22246805043	5/16"	1/4"	34.0	14	
22246805063	5/16"	3/8"	35.1	17	
22246805083	5/16"	1/2"	40.2	22	
22246805123	5/16"	3/4"	41.1	27	
22246806043	3/8"	1/4"	37.6	14	
22246806063	3/8"	3/8"	38.6	17	
22246806083	3/8"	1/2"	43.7	22	
22246806123	3/8"	3/4"	44.4	27	
22246808043	1/2"	1/4"	38.8	14	
22246808063	1/2"	3/8"	40.0	17	
22246808083	1/2"	1/2"	45.0	22	
22246808123	1/2"	3/4"	45.7	27	

Note: Packing 25 unit

Fittings - Barb Block

Reinforced Polypropylene

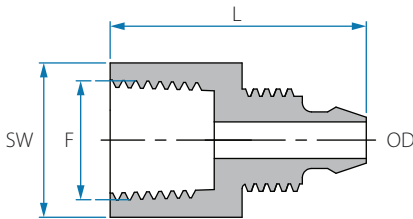


Working pressure
Up to 14 BAR
(200 psi) at 20 °C



Temperature
4 °C - 90 °C
(subject to application)

Fittings' dimensions refer to tube ID or OD, with respect to the common application.



BSPT Female Connector

Cat. No.	Tube OD mm	F (BSPT)	L mm	SW	Color
22046646028	6	1/8"	26.3	14	Blue
22046646048	6	1/4"	27.8	17	
22046648028	8	1/8"	26.3	14	
22046648048	8	1/4"	28.0	17	
22046648068	8	3/8"	30.6	22	
22046648088	8	1/2"	32.5	26	
22046648548	8	M14X1.5	28.1	17	
22046650048	10	1/4"	31.7	17	
22046650068	10	3/8"	33.0	22	
22046650088	10	1/2"	35.4	26	

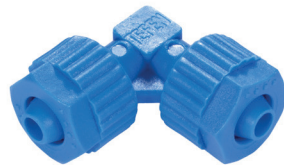
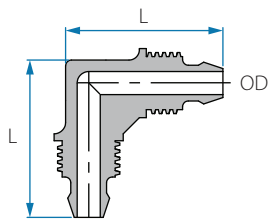
Cat. No.	Tube OD inch	F (BSPT)	L mm	SW	Color
22046604028	1/4"	1/8"	26.3	14	Navy Blue
22046604048	1/4"	1/4"	27.8	17	
22046605028	5/16"	1/8"	26.3	14	
22046605048	5/16"	1/4"	28.0	17	
22046605068	5/16"	3/8"	30.6	22	
22046605088	5/16"	1/2"	32.5	26	
22046606048	3/8"	1/4"	31.7	17	
22046606068	3/8"	3/8"	33.0	22	
22046606088	3/8"	1/2"	35.4	26	

Note: Packing 25 unit

NPT Female Connector

Cat. No.	Tube OD inch	F (NPT)	L mm	SW	Color
22246604023	1/4"	1/8"	26.3	14	Grey
22246605023	5/16"	1/8"	26.3	14	
22246605043	5/16"	1/4"	32.1	17	
22246605063	5/16"	3/8"	32.2	22	
22246605083	5/16"	1/2"	37.5	27	
22246606043	3/8"	1/4"	34.5	17	
22246606063	3/8"	3/8"	34.5	22	
22246606083	3/8"	1/2"	38.0	27	

Note: Packing 25 unit



Union Elbow

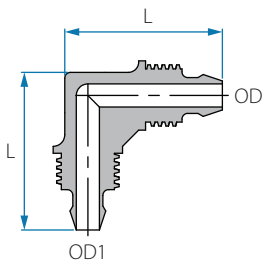
Cat. No.	Tube OD mm	L mm	Color
22046546008	6	274	Blue
22046548008	8	274	Blue
22046552008	12	40.5	Blue
22046548002	8	274	Black

Cat. No.	Tube OD inch	L mm	Color
22046504008	1/4"	274	Navy Blue
22046505008	5/16"	274	Navy Blue
22046508008	1/2"	40.5	Navy Blue
22046508002	1/2"	40.5	Black

Note: Packing 25 unit

Cat. No.	Tube OD inch	L mm	Color
22246504003	1/4"	275	Grey
22246505003	5/16"	275	Grey
22246508003	1/2"	40.5	Grey

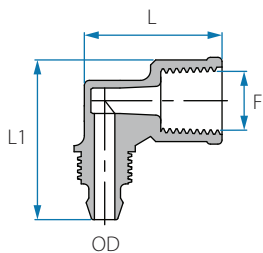
Note: Packing 25 unit



Reducing Elbow

Cat. No.	Tube OD mm	Tube OD1 mm	L mm	Color
22045748468	8	6	27.3	Blue

Note: Packing 25 unit



BSPT Female Elbow

Cat. No.	Tube OD mm	F (BSPT)	L mm	L1 mm	Color
22046046028	6	1/8"	25.1	27.3	Blue
22046046048	6	1/4"	27.0	27.3	Blue
22046048048	8	1/4"	27.0	27.3	Blue
22046046022	6	1/8"	25.1	27.3	Black
22046046042	6	1/4"	27.0	27.3	Black
22046048042	8	1/4"	27.0	27.3	Black

Note: Packing 25 unit

Fittings - Barb Block

Reinforced Polypropylene

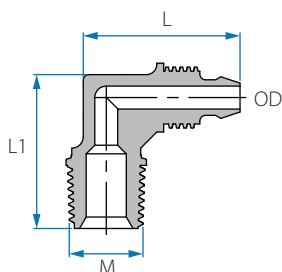


Working pressure
Up to 14 BAR
(200 psi) at 20 °C



Temperature
4 °C - 90 °C
(subject to application)

Fittings' dimensions refer to tube ID or OD, with respect to the common application.



BSPT Male Elbow

Cat. No.	Tube OD mm	M (BSPT)	L mm	L1 mm	Color
22046946028	6	1/8"	276	22.4	Blue
22046946048	6	1/4"	276	26.8	Blue
22046948028	8	1/8"	276	26.8	Blue
22046948048	8	1/4"	276	26.8	Blue
22046948068	8	3/8"	281	29.4	Blue
22046952048	12	1/4"	40.3	31.7	Blue
22046952068	12	3/8"	40.3	32.0	Blue
22046952088	12	1/2"	40.3	36.0	Blue
22046946022	6	1/8"	276	22.4	Black
22046948022	8	1/8"	276	26.8	Black
22046946042	6	1/4"	276	26.8	Black
22046948042	8	1/4"	276	26.8	Black
22046948062	8	3/8"	281	29.4	Black
22046952062	12	3/8"	40.3	32	Black

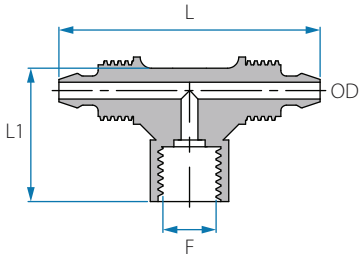
Cat. No.	Tube OD inch	M (BSPT)	L mm	L1 mm	Color
22046904028	1/4"	1/8"	276	22.4	Navy Blue
22046904048	1/4"	1/4"	276	26.8	Navy Blue
22046905028	5/16"	1/8"	276	26.8	Navy Blue
22046905048	5/16"	1/4"	276	26.8	Navy Blue
22046905068	5/16"	3/8"	281	29.4	Navy Blue
22046908048	1/2"	1/4"	40.3	31.7	Navy Blue
22046908068	1/2"	3/8"	40.3	32.0	Navy Blue
22046908088	1/2"	1/2"	40.3	36.0	Navy Blue
22046908082	1/2"	1/2"	40.3	36.0	Black
22046904041	1/4"	1/4"	26.7	26.8	White

Note: Packing 25 unit

NPT Male Elbow

Cat. No.	Tube OD inch	M (NPT)	L mm	L1 mm	Color
22246904023	1/4"	1/8"	275	24.0	Grey
22246904043	1/4"	1/4"	275	29.0	Grey
22246905023	5/16"	1/8"	275	24.0	Grey
22246905043	5/16"	1/4"	275	28.9	Grey

Note: Packing 25 unit

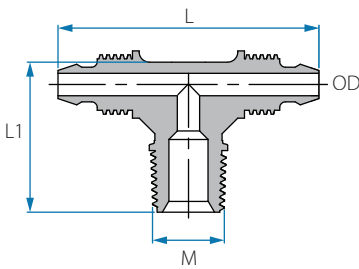


BSPT Female Branch T

Cat. No.	Tube OD mm	F (BSPT)	L mm	L1 mm	Color
22047346028	6	1/8"	46.6	25.0	Blue
22047348048	8	1/4"	46.8	27.2	Blue

Cat. No.	Tube OD inch	F (BSPT)	L mm	L1 mm	Color
22047304028	1/4"	1/8"	46.6	25.0	Navy Blue
22047305048	5/16"	1/4"	46.8	27.2	Navy Blue

Note: Packing 25 unit



BSPT Male Branch T

Cat. No.	Tube OD mm	M (BSPT)	L mm	L1 mm	Color
22047146028	6	1/8"	46.8	22.6	Blue
22047146048	6	1/4"	46.8	26.8	
22047148028	8	1/8"	46.8	22.6	
22047148048	8	1/4"	46.8	26.8	
22047148068	8	3/8"	47.2	29.4	
22047152048	12	1/4"	67.0	31.6	
22047152068	12	3/8"	67.0	32.0	Black
22047152088	12	1/2"	67.0	36.0	
22047146042	6	1/4"	46.8	26.8	
22047148022	8	1/8"	46.8	22.6	
22047148042	8	1/4"	46.8	26.8	

Cat. No.	Tube OD inch	M (BSPT)	L mm	L1 mm	Color
22047104028	1/4"	1/8"	46.8	22.6	Navy Blue
22047104048	1/4"	1/4"	46.8	26.8	
22047105028	5/16"	1/8"	46.8	22.6	
22047105048	5/16"	1/4"	46.8	26.8	
22047105068	5/16"	3/8"	47.2	29.4	
22047108048	1/2"	1/4"	67.0	31.6	
22047108068	1/2"	3/8"	67.0	32.0	White
22047104041	1/4"	1/4"	46.8	26.8	

Note: Packing 25 unit

NPT Male Branch T

Cat. No.	Tube OD inch	M (NPT)	L mm	L1 mm	Color
22247104023	1/4"	1/8"	47.7	24.1	Grey
22247104043	1/4"	1/4"	46.6	28.9	
22247105023	5/16"	1/8"	46.7	24.1	
22247105043	5/16"	1/4"	46.7	28.9	
22247108063	1/2"	3/8"	66.8	32.0	
22247108083	1/2"	1/2"	66.8	36.1	
22247105022	5/16"	1/8"	46.7	24.1	Black

Note: Packing 25 unit

Fittings - Barb Block

Reinforced Polypropylene

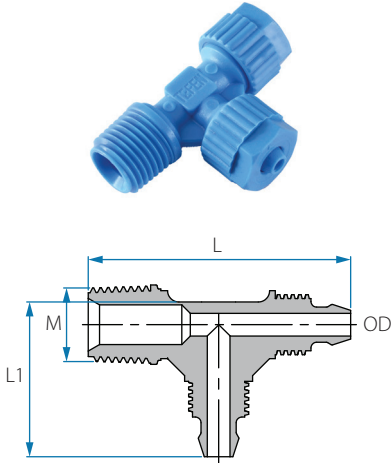


Working pressure
Up to 14 BAR
(200 psi) at 20 °C



Temperature
4 °C - 90 °C
(subject to application)

Fittings' dimensions
refer to tube ID or OD,
with respect to the
common application.



BSPT Male Run T

Cat. No.	Tube OD mm	M (BSPT)	L mm	L1 mm	Color
22047246028	6	1/8"	41.9	275	Blue
22047246048	6	1/4"	46.2	275	
22047248028	8	1/8"	41.9	275	
22047248048	8	1/4"	46.2	275	
22047248068	8	3/8"	58.8	43.2	
22047252048	12	1/4"	57.7	40.3	
22047252068	12	3/8"	59.0	40.5	
22047252088	12	1/2"	62.7	40.4	

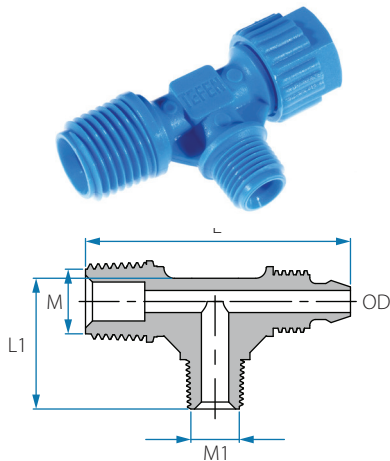
Cat. No.	Tube OD inch	M (BSPT)	L mm	L1 mm	Color
22047204028	1/4"	1/8"	41.9	275	Navy Blue
22047204048	1/4"	1/4"	46.2	275	
22047205028	5/16"	1/8"	41.9	275	
22047205048	5/16"	1/4"	46.2	275	
22047205068	5/16"	3/8"	58.8	43.2	
22047208048	1/2"	1/4"	57.7	40.3	
22047208068	1/2"	3/8"	59.0	40.5	
22047208088	1/2"	1/2"	62.7	40.4	
22047204041	1/4"	1/4"	46.2	275	White

Note: Packing 25 unit

NPT Male Run T

Cat. No.	Tube OD inch	M (NPT)	L mm	L1 mm	Color
22247204023	1/4"	1/8"	43.4	274	Grey
22247204043	1/4"	1/4"	48.2	274	
22247205023	5/16"	1/8"	43.5	274	
22247205043	5/16"	1/4"	48.3	274	
22247205063	5/16"	3/8"	56.1	40.2	

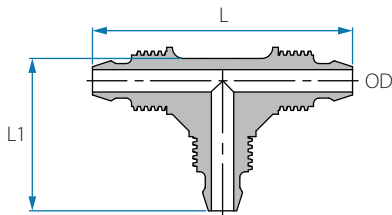
Note: Packing 25 unit



BSPT Male T - 2 threads

Cat. No.	Tube OD mm	M inch	M1 inch	L mm	L1 mm	Color
22047802048	8	1/4"	1/8"	46.2	22.6	Blue

Note: Packing 25 unit

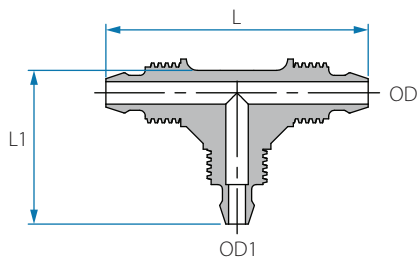


Union T

Cat. No.	OD mm	L mm	L1 mm	Color
22046446468	6	46.8	275	Blue
22046448488	8	46.8	275	
22046452528	12	67.1	40.4	

Cat. No.	OD inch	L mm	L1 mm	Color
22046404041	1/4"	46.8	275	White
22046404048	1/4"	46.8	275	Navy Blue
22046405058	5/16"	46.8	275	
22046408088	1/2"	67.1	40.4	Black
22046404042	1/4"	46.8	275	
22046408082	1/2"	67.1	40.4	Grey
22246404043	1/4"	46.7	27.4	
22246405053	5/16"	46.7	27.4	
22246408083	1/2"	67.0	40.4	

Note: Packing 25 unit



Reducing T

Cat. No.	Tube OD mm	Tube OD1 mm	L mm	L1 mm	Color
22045846488	6	8	46.8	27.4	Blue
22045848468	8	6	46.8	27.4	

Note: Packing 25 unit

Fittings - Barb Block

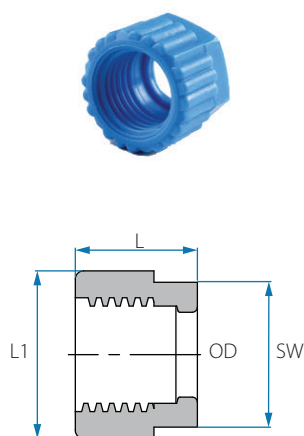
Reinforced Polypropylene



Working pressure
Up to 14 BAR
(200 psi) at 20 °C



Temperature
4 °C - 90 °C
(subject to application)



Nut for Union Connector

Cat. No.	Tube OD mm	L mm	SW	Color
32046146001	6	11.9	16	White
32046146006	6	11.9	16	Red
32046146008	6	11.9	16	Blue
32046146009	6	11.9	16	Yellow
32046148001	8	11.9	16	White
32046148006	8	11.9	16	Red
32046148008	8	11.9	16	Blue
32046150002	10	14.2	16	Black
32046150008	10	14.2	19	Blue
32046152002	12	17.5	22	Black

Cat. No.	Tube OD inch	L mm	SW	Color
32046104001	1/4"	11.9	16	White
32046104002	1/4"	11.9	16	Black
32046104008	1/4"	11.9	16	Navy Blue
32046104009	1/4"	11.9	16	Yellow
32046105008	5/16"	11.9	16	Navy Blue
32046105009	5/16"	11.9	16	Yellow
32046106008	3/8"	14.2	19	Navy Blue
32046106009	3/8"	14.2	19	Yellow
32046108001	1/2"	17.5	22	White
32046108002	1/2"	17.5	22	Black
32046108008	1/2"	17.5	22	Navy Blue
32046108009	1/2"	17.5	22	Yellow

Note: Use nuts with Tefen's barb fittings only

Fittings

BARB

CONNECTORS

Tefen barb connectors designed to operate with all LDPE tubes class 2.5 and 4, at the range of 1/2"- 1" external diameter.

These fittings can work with other flexible plastic and rubber pipes.

The fittings sealing system is based on a barb that holds the tube from the inside diameter.

The fittings size: indicate the nominal outside diameter of the tube.

For example: 5/8" barb fitting, fits a 5/8" irrigation tube class 2.5, with inner diameter of 0.5".

